



TBM Brakes Line Lock Solenoid Instructions

Part# 52-1022

Warning: The TBM Brakes Line Lock Solenoid should only be installed by qualified personnel, if you are unfamiliar with the requirements of working on the vehicle's hydraulic or electrical systems, please do not attempt installation.

Warning: This product is intended to be used on racing vehicles in controlled environments and should never be used on the street.

Warning: This product is intended for momentary locking of the vehicle's wheels and should not be used in place of the vehicle parking brake function.

Warning: Installation requires the opening of the vehicle hydraulic system and will require bleeding of the cars braking system. A full inspection of the braking system (including leak test) must be performed prior to the vehicle being placed back in service.

Mounting:

Find a suitable location to mount the TBM Brakes Line Lock Solenoid. Best practice is to mount the solenoid lower than the master cylinder in the front brake line between the master cylinder and the "tee" where the line splits for the left and right brakes. The solenoid must be mounted securely to the vehicle's chassis or body using the 10-32 UNF mounting holes. It is never acceptable for the solenoid to "hang" on the attached brake lines.

Plumbing:

Note: The port for the master cylinder (inlet) is closest to the bottom, farthest from the wire plug. The outlet is higher up on the opposite side. Looking at the front, with the TBM Logo facing you, the master cylinder connection is on the Left, the caliper connections on the right.

The TBM Brakes Line Lock Solenoid has the ability to accept male 3AN fittings or 3/16 brake line when the included brass adapters are use (see figure 1).

To plumb with 3AN line: use a suitable 3AN male adapter (available separately), screwed directly into the solenoid body. (see Figure 2)

To plumb with 3/16 brake line: first place the brass adapters in the ports as shown in figure 1, make sure they are properly seated prior to installing the 3/16 brake line fitting.

Warning: always use proper flaring tools and techniques, if you are unsure of proper procedure, do not attempt installation, seek experienced help.

Wiring:

The TBM Brakes Line Lock Solenoid comes with an included wiring harness featuring a sealed connector and 3 feet of 18awg wire. The black wire should be connected to suitable chassis ground. The red wire activates the solenoid when it is supplied with 12-20VDC. The solenoid should be activated either thru a momentary pushbutton or through the Vehicle's ECU. Wiring of the switch is left to the installer with the instruction that the circuit must be protected with a 5 AMP fuse and proper wiring techniques must be utilized.

Operation:

Press the brake pedal to lock the wheels.

Activating the solenoid will hold pressure in the brake line where the solenoid is installed.

De-Activating the solenoid releases the pressure allowing the wheels to roll freely.



Figure 1.

3/16 Inverted Flare Assembly

-Pay attention to orientation of brass inserts-

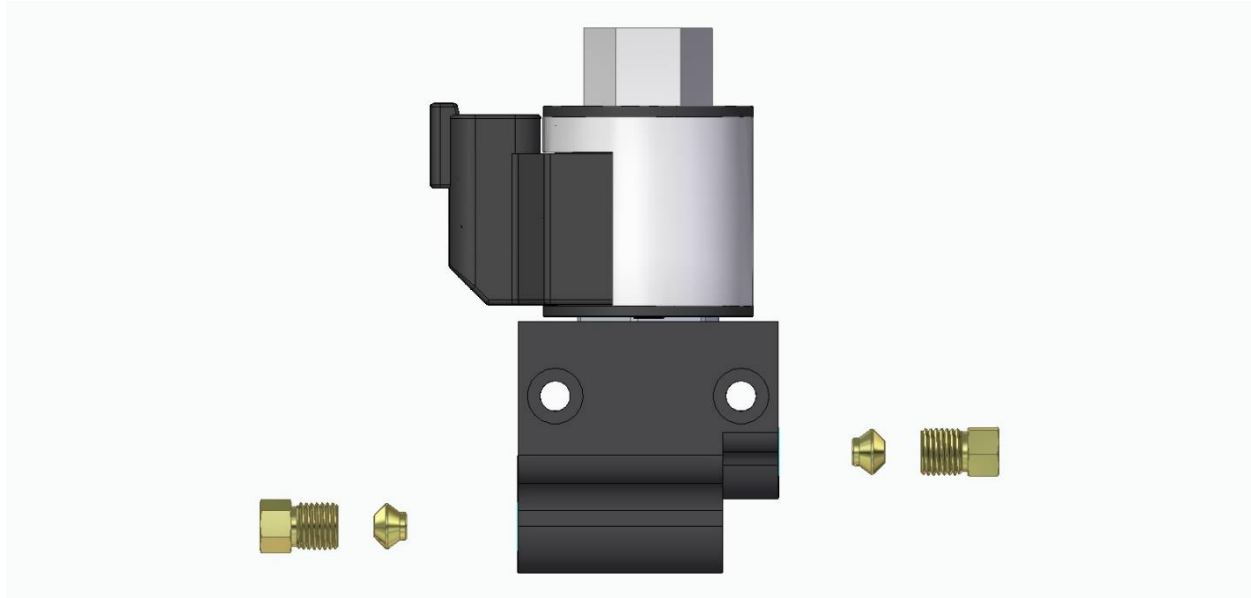


Figure 2

3AN Assembly Diagram

